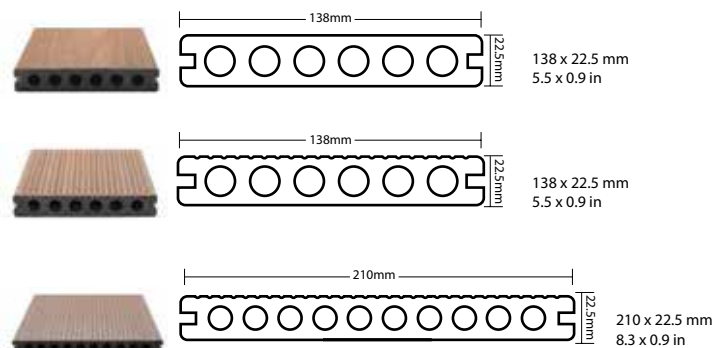
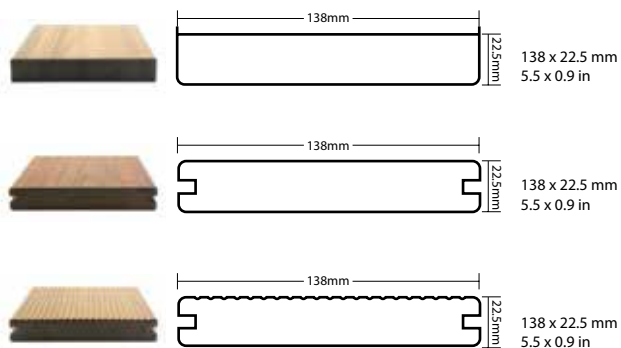
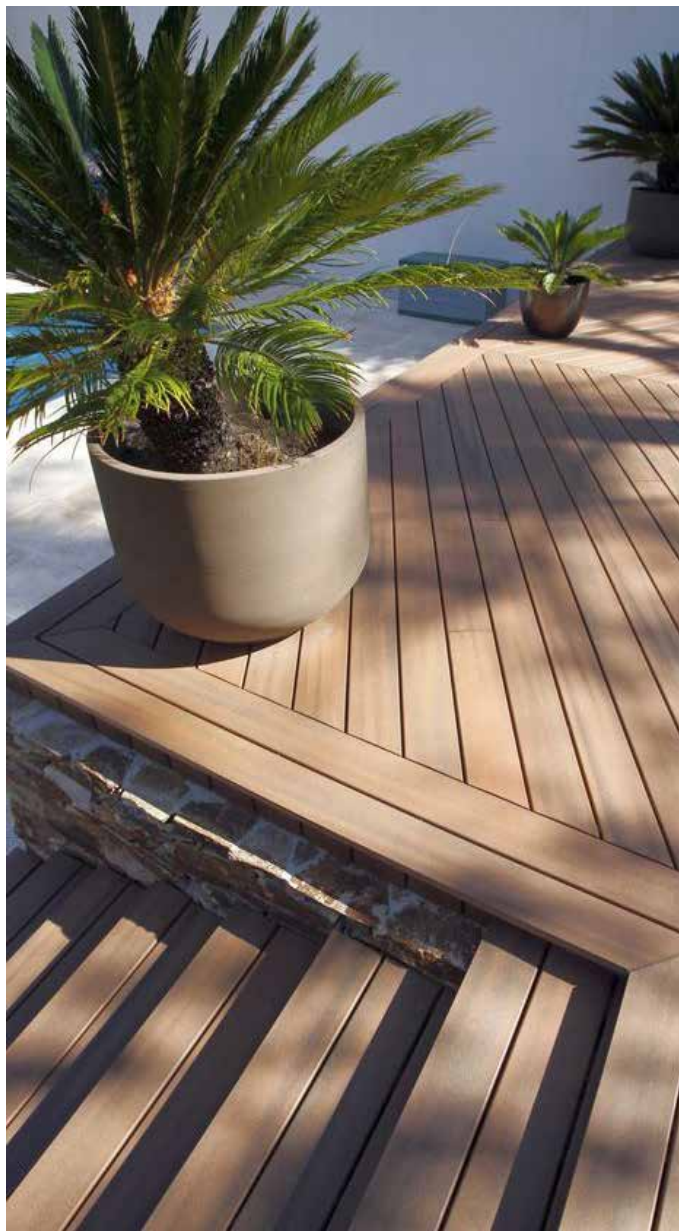
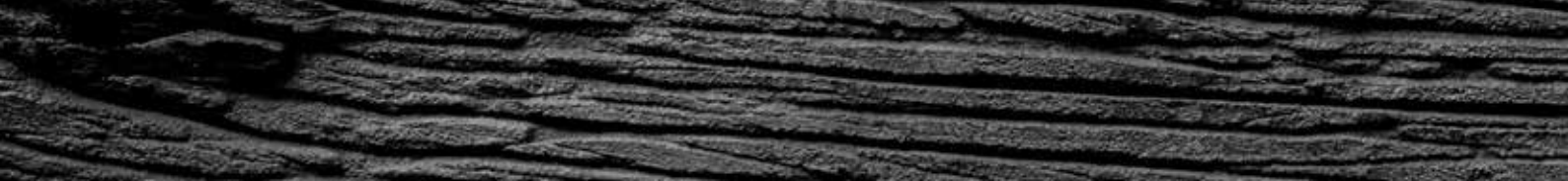


Technical data

Standard	Characteristics	Result	Report
ASTM D6109	Flexural strength (MOR)	26.3 MPa	
	Flexural stiffness (MOE)	2620 MPa	
ASTM D4226	Impact resistance	MFE>396J	
ISO 4586-2	Resistance to scratching	Rate 2	GZ12031450-1R1
ASTM D785	Rockwell hardness (HRR)	78.7 R	
ASTM D7032	Creep-recovery (24h)	82.2%	
EN 319	Surface bond quality	>2.08 MPa	
ASTM G21	Mould resistance (28 days)	Rating 0	GZ12031450-2
ASTM D4060	Abrasion resistance	Index 33	GZ12041293-1
	Moisture content before submersion	0.21%	
	Moisture content after submersion	0.33%	
ASTM D1037	Water Absorption (24h)	0.12%	GZ12052025-1
	Thickness swelling	0.32%	
ISO 4892-1	Weathering resistance (2000h)	E*=2.5	AU12064035-4
		Grey scale 3-4	
		angle: 19.7	
DIN 51130	Floor slip resistance	Group R11	GZ12060103-2







RJ05
150mm x 22mm x2000mm



RJ06
150mm x 22mm x2000mm



Warranty

We offer 25-Year Limited Residential Warranty, 10-Year Limited Commercial Warranty, 25-Year Limited Stain Warranty, and a 2-Year Limited Labor Warranty.

SURFACE PATTERN



Smooth



Timber Finish



Groove





Terrace Decking System **TEAK**

Origin: Costa Rica sustainable plantations
 Standard version: brushed
 Rounded on all sides $r = 5 \text{ mm}$

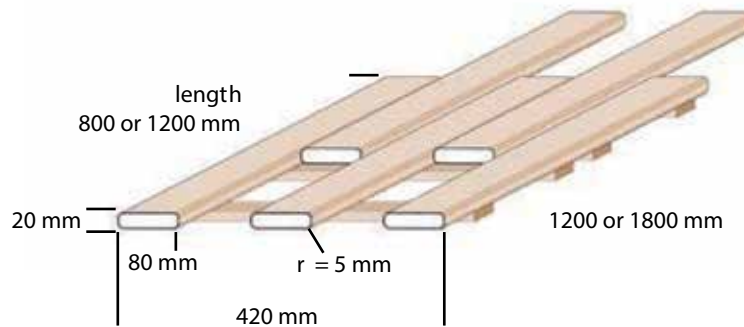
ACCESSORIES:

Feet X-Step and CAT-Step

Screws made of stainless steel - $4.5 \times 35 \text{ mm}$ - 200 pcs / pack.

Stainless steel screws Quadraspeed - $4.5 \times 40 \text{ mm}$ - 200 pcs / pack.

Aluminium pro le - $50 \times 40 \times 2.5 \text{ mm}$, 4 m



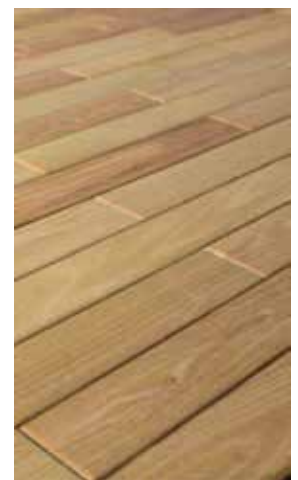
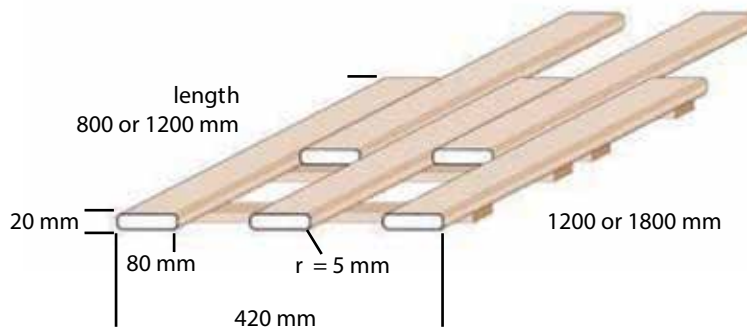
Terrace Decking System ROBINIE (ACACIA)

Origin: central Europe
Standard version: brushed
Rounded on all sides $r = 5 \text{ mm}$

ACCESSORIES:

Feet X-Step and CAT-Step

Screws made of stainless steel - $4.5 \times 35 \text{ mm}$ - 200 pcs / pack. Stainless steel screws
Quadraspeed - $4.5 \times 40 \text{ mm}$ - 200 pcs / pack. Aluminium pro le - $50 \times 40 \times 2.5 \text{ mm}$, 4 m



FIXING



Nylon Clips
Standard hidden fastening clips made of nylon. Space 5 mm.



Starter Clips
Starting clip useful for defining the starting edge of the decking.



INOX Steel Clips
Stainless steel fastening clip. Space 3 mm.

UNDERSTRUCTURE FRAME



Hollow WPC Frame
Hollow understructure profile 30 x 40 mm used for the primary framework supporting the boards.



Aluminum Frame
Understructure profile used in installations with height adjustment needs



Aluminum Omega Profile
Understructure profile with a special geometry.

BORDER PROFILE



Skirting Profile
Perimeter profile that can be trimmed in height, usable as edging.



Corner Profile
Corner edging profile.



Fender with notch
Solid profile with notch, can be shaped to obtain special finishes.

OTHER



Capped Composite Decking Repair Kit
Best for nail holes, chips, dents and scratches