

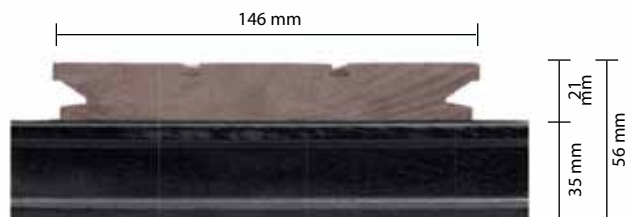
Technical data

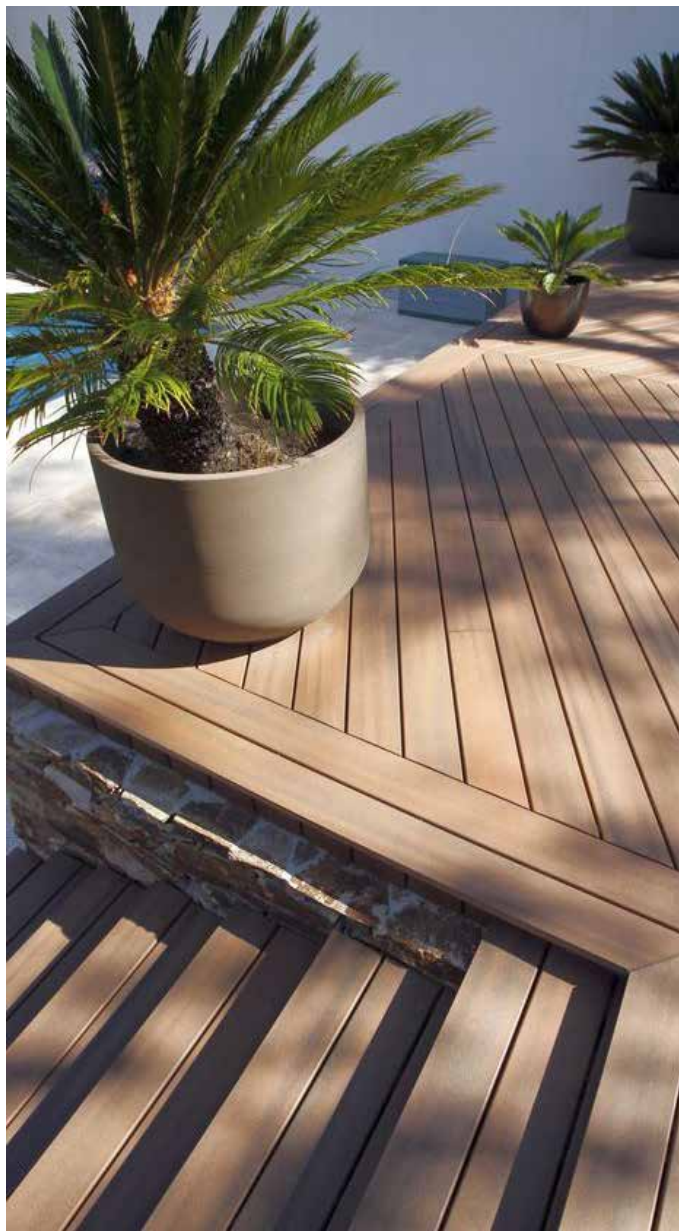
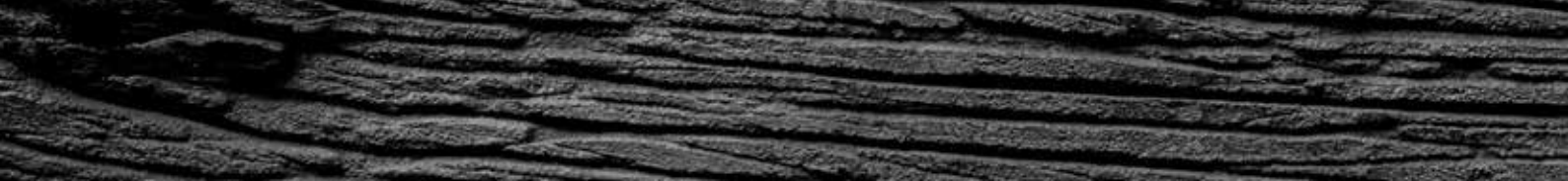
Characteristics

Dimension:	146 mm + 4 mm joint	
Width:	150 mm	
Height:	21 mm	
Length:	4000/4500/5000/5500/6000 mm	
Material Density:	approx. 1350 kg/m ³	EN 323

Qualities according to the VHI quality label (average)

Breaking load of a floor board (inside distance between supports of 480 mm), 20 °C, fresh:	3900 N (≥ 3400 N)	EN 310
Breaking load of a floor board (inside distance between supports of 480 mm), after aging:	3700 N (≥ 2720 N)	EN 310
Anti skid, wet and dry:	0.67 = R12 (≥ 0.43) 28° = C (≥ C)	EN 13839 DIN 51097
Coefficient of thermal expansion, lengthwise:	20,6 x 10 ⁻⁶ /K 3.3 mm	ISO 11359 - 2 l = 4 m, dT = 40 K
Other properties		
Reaction to fire:	Bfl - s1 d0	EN 13501 - 1
Durability:	Class 1	EN 113, EN 350-01
Formaldehyde emission:	0.015 ppm	RAL - UZ 38
CMR-substances:	<1 µg/m ³	RAL - UZ 38







RJ05
150mm x 22mm x2000mm



RJ06
150mm x 22mm x2000mm

Warranty

We offer 25-Year Limited Residential Warranty, 10-Year Limited Commercial Warranty, 25-Year Limited Stain Warranty, and a 2-Year Limited Labor Warranty.

SURFACE PATTERN



Smooth



Timber Finish



Groove





Terrace Decking System **TEAK**

Origin: Costa Rica sustainable plantations
 Standard version: brushed
 Rounded on all sides $r = 5 \text{ mm}$

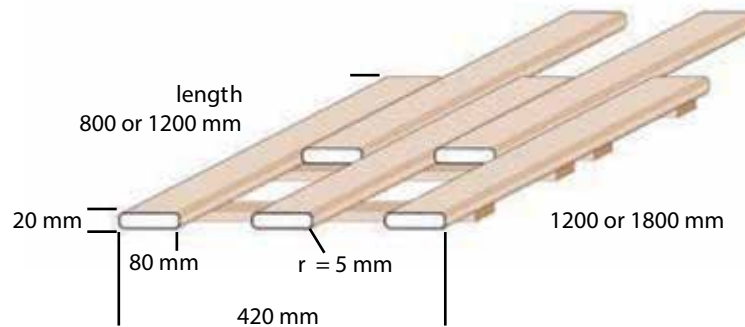
ACCESSORIES:

Feet X-Step and CAT-Step

Screws made of stainless steel - $4.5 \times 35 \text{ mm}$ - 200 pcs / pack.

Stainless steel screws Quadraspeed - $4.5 \times 40 \text{ mm}$ - 200 pcs / pack.

Aluminium pro le - $50 \times 40 \times 2.5 \text{ mm}$, 4 m



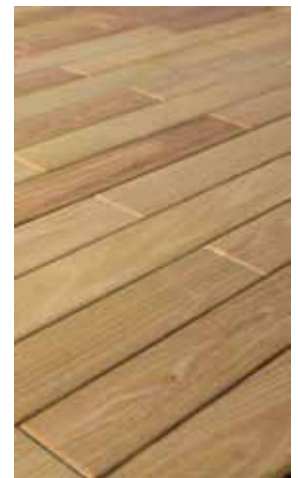
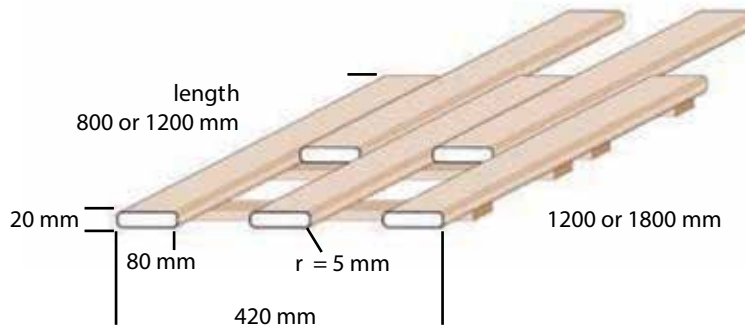
Terrace Decking System ROBINIE (ACACIA)

Origin: central Europe
 Standard version: brushed
 Rounded on all sides $r = 5 \text{ mm}$

ACCESSORIES:

Feet X-Step and CAT-Step

Screws made of stainless steel - 4.5 x 35 mm - 200 pcs / pack. Stainless steel screws
 Quadraspeed - 4.5 x 40 mm - 200 pcs / pack. Aluminium pro le - 50 x 40 x 2.5 mm, 4 m



FIXING



Nylon Clips
Standard hidden fastening clips made of nylon. Space 5 mm.



Starter Clips
Starting clip useful for defining the starting edge of the decking.



INOX Steel Clips
Stainless steel fastening clip. Space 3 mm.

UNDERSTRUCTURE FRAME



Hollow WPC Frame
Hollow understructure profile 30 x 40 mm used for the primary framework supporting the boards.



Aluminum Frame
Understructure profile used in installations with height adjustment needs



Aluminum Omega Profile
Understructure profile with a special geometry.

BORDER PROFILE



Skirting Profile
Perimeter profile that can be trimmed in height, usable as edging.



Corner Profile
Corner edging profile.



Fender with notch
Solid profile with notch, can be shaped to obtain special finishes.

OTHER



Capped Composite Decking Repair Kit
Best for nail holes, chips, dents and scratches